



Datasheet Revolution iLink Pro

For more informations visit www.corratec.de



Revolution iLink Pro

Frame: Corratec Revolution iLink

Size: 44, 48, 52

Colors:



TECHNOLOGIES

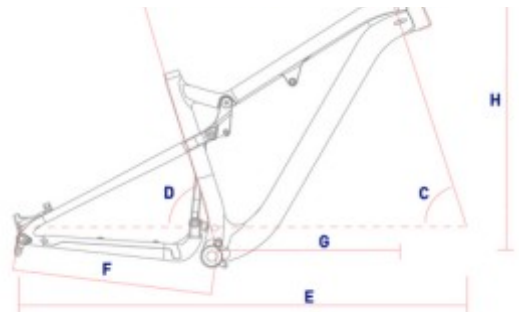


DESCRIPTION

- The perfect bike for allmountain tours and flowy trails.
- iLink TECHNOLOGY – the rear triangle without a separate lockout achieves maximum propulsion.
- The bike, developed according to the Boost standard, generates maximum agility off-road

FRAME

| CM | A | B | C | D | E | F | G | H |
|----|-----|-----|----|----|------|-----|-----|-----|
| 44 | 589 | 101 | 68 | 75 | 1144 | 435 | 445 | 610 |
| 48 | 616 | 108 | 68 | 75 | 1171 | 435 | 460 | 615 |
| 52 | 632 | 124 | 68 | 75 | 1192 | 435 | 475 | 630 |



EQUIPMENT

MAIN:

FRAME: Corratec Revolution iLink
 FORK: Rockshox SID RL 29" Boost
 FULLY DAMPER: Rockshox Deluxe Select
 BREAKES: Shimano Deore XT
 STEM: ZZYX SL Alloy Stem
 HANDLE BAR: ZZYX SL Alloy Handlebar
 SADDLE: Selle Italia Model X
 SEAT POST: Kindshock RAGEi

DRIVE:

CHAINWHEEL: Shimano Deore XT
 CASSETTE: Shimano DEORE SLX 12S
 REAR DERAILLEUR: Shimano DEORE XT 12S
 SHIFT LEVERS: Shimano Deore XT

WHEELSET:

RIM: DT Swiss M 1900 Spline 29
 TIRE: Schwalbe Hans Dampf

SPECIAL:

CHAINWHEEL RATIO: 1s; 32
 CASSETTE RATIO: 12s; 10 12 14 16 18 21 24 28 33 39 45 51
 FORK SUSPENSION TRAVEL: 120 mm
 SIZE BRAKE DISC: 180 mm front
 160 mm rear

Because of the problems in the delivery chain arising from the current COVID-19 situation, the bike can be delivered with modifications.

Rendering is for Reference only.