



# Datasheet E-Power MTC 12S Trinity Tube Gent

For more informations visit [www.corratec.de](http://www.corratec.de)

## MTC

### E-Power MTC 12S Trinity Tube Gent

Frame: Corratec E-Power MTC Trinity Tube Gent

Components: Bosch Performance Line CX

Size: 44, 49, 54, 57

Colors:



#### TECHNOLOGIES

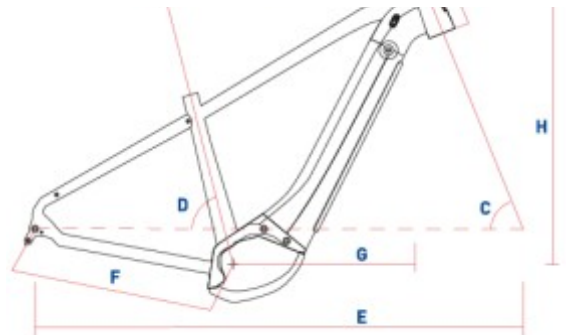


#### DESCRIPTION

- The brandnew Mountain Cross Bike (MTC) - The perfect bike for every terrain.
- Full suspension Bike with mudguards and fenders.
- New Trinity Tube Edge - three chambers and a crossbar ensures superior stiffness and stability.

#### FRAME

CM	A	B	C	D	E	F	G	H
44	610	150	69	74	1152	455	427	640
49	610	150	69	74	1152	455	427	640
54	625	150	69	74	1172	455	442	638
57	650	150	69	74	1197	455	467	638



#### EQUIPMENT

##### MAIN:

FRAME:	Corratec E-Power MTC Trinity Tube Gent
FORK:	SR Suntour XCM
BREAKES:	Tektro HDT275 front Tektro HDT275 rear
STEM:	ZZYX SL Alloy Stem
HANDLE BAR:	ZZYX SL Alloy Handlebar
SADDLE:	ZZYX Sport Saddle
SEAT POST:	ZZYX SL Alloy Seatpost

##### DRIVE:

CHAINWHEEL:	ZZYX E-Power Crank
CASSETTE:	SRAM PG1210 Eagle 12S
REAR DERAILLEUR:	SRAM SX Eagle
SHIFT LEVERS:	SRAM SX Eagle Single Click E Trigger

##### WHEELSET:

RIM:	ZZYX Cross Attack 29" front ZZYX Cross Attack 29" rear
TIRE:	Schwalbe Smart Sam 29" front Schwalbe Smart Sam 29" rear

##### SPECIAL:

CHAINWHEEL RATIO:	1s; 38
CASSETTE RATIO:	12s; 11 13 15 17 19 22 25 28 32 36 42 50
FORK SUSPENSION TRAVEL:	80 mm
SIZE BRAKE DISC:	180 mm front 180 mm rear
ENGINE:	BOSCH Performance Line CX
BATTERY:	BOSCH Power Tube 500 Wh
LIGHTS:	AXA Compact Line 20
REAR CARRIER:	Massload MIK System Direct Mount Carrier

